

CP-URC-TC24PL3C-L-V2

2.4MP Dual Light Bullet Camera - 30Mtr.

- 2.4MP PS CMOS Image Sensor
- Max. 2.4MP (1920×1080)@25/30fps
- DWDR, Day/Night (ICR), 2D DNR, BLC, HLC
- 3.6mm Fixed Lens (2.8 mm and 6mm optional)
- IR Range of 30 Mtrs., Warm Light Range of 20 Mtrs., Smart IR
- 4 Signals over 1 Coaxial Cable
- Support Built-in Mic, IP67



System Overview

Delivering full-color video in complete darkness, the **illuMax range** of advanced Dual IR Cameras is the ideal solution for upgrading your security system. Enabling you with enhanced control, illuMax supports multiple night vision modes as well as numerous formats.

Functions

Smart Dual IR (warm light and IR)

Smart Dual IR combines infrared and warm light for superior night vision, ensuring clear images in complete darkness and providing enhanced visibility in low-light conditions.



CP-URC-TC24PL3C-L-V2

2.4MP Dual Light Bullet Camera - 30Mtr.

Functions

True Day/Night (ICR)

When the scene is too dark, the image is captured by illuminating an infrared light through the camera onto the scene that greatly helps with making the scene visible for the lens. It delivers color images during the day and automatically switches to the monochrome feature as the scene darkens.

Active Deterrence

Active deterrence includes turning on warm LED lights towards intruders in real-time, enhancing security by preventing potential threats before they escalate.

*Deterrence will only work with SMD supported DVRs

Long Distance Transmission

Long-distance transmission capability allows video signals to be transmitted over extended distances without quality loss, ensuring reliable and clear footage from remote locations.

All-in-1 HD Camera (HDCVI, HDTVI, AHD, CBVS)

This feature supports multiple video formats—HDCVI, HDTVI, AHD, and CBVS—making the camera versatile and compatible with various DVRs for seamless integration.

Built-in Mic

The built-in microphone captures high-quality audio, adding an extra layer of security by recording sound along with video, which is essential for comprehensive surveillance.

About CP PLUS

The brand that is on its way to lead the world when it comes to the security and surveillance industry, CP PLUS, keeps bombarding the market with the most reliable range of products that have been designed carefully and methodically to automate the whole surveillance and security process, no matter how big your premises are.

It was the initiative to help the public in the area where they are the most vulnerable and to empower the sense of safety in our hearts that had conceptualized CP PLUS. And embarking on its mission to make the world a safer and more secure place has taken the brand's journey to unprecedented levels even when compared to international competitors.



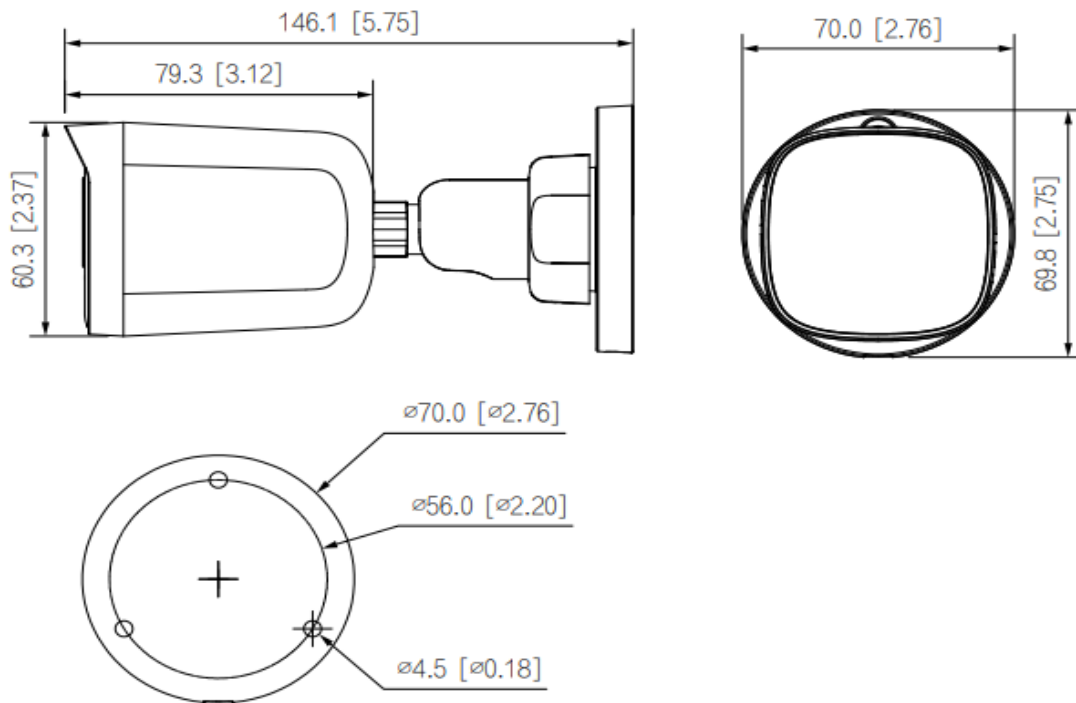
CP-URC-TC24PL3C-L-V2

2.4MP Dual Light Bullet Camera - 30Mtr.

Feature	Specification
Image Sensor	2.4MP PS CMOS Image Sensor
Max. Resolution	1920 (H) × 1080 (V)
Minimum Illumination	0.02 lux F2.0 (Color, 30 IRE), 0.002 lux F2.0 (B/W, 30 IRE), 0 lux (IR on)
Angle Adjustment	Pan: 0°–360° Tilt: 0°–90° Rotation: 0°–360°
Shutter Speed	PAL: 1/25 s–1/100,000 s, NTSC: 1/30 s–1/100,000 s
White Balance	Auto, Area white balance
Lens Mount	M12
Close Focus Distance	3.6 mm: 0.8 m, 2.8 mm: 0.5 m, 6 mm: 2.4 m
Gain Control(AGC)	Auto, Manual
Max. Aperture	F2.0
DORI Distance	Lens 3.6 mm: 55.0 m (Detect), 22.0 m (Observe), 11.0 m (Recognize), 5.5 m (Identify) Lens 2.8 mm: 44.7 m (Detect), 17.9 m (Observe), 8.9 m (Recognize), 4.5 m (Identify) Lens 6 mm: 102.9 m (Detect), 41.1 m (Observe), 20.6 m (Recognize), 10.3 m (Identify)
Lens	3.6 mm (2.8 mm and 6 mm Optional)
Lens Type	Fixed- Focal
Angle of View	3.6 mm: H: 80°, V: 43°, D: 94°; 2.8 mm: H: 100°, V: 54°, D: 117°; 6 mm: H: 43°, V: 24°, D: 50°
S/N Ratio	>65 dB
Back Light Compensation	BLC/ HLC/ DWDR
Video Output	Video output choices of CVI/TVI/AHD/CVBS by one BNC port
Resolution	1080p (1920 × 1080), 960H (960 × 576/960 × 480)
Frame Rate	CVI: PAL: 1080p@25 fps NTSC: 1080p@30 fps AHD: PAL: 1080p@25 fps NTSC: 1080p@30 fps TVI: PAL: 1080p@25 fps NTSC: 1080p@30 fps CVBS: PAL: 960H NTSC: 960H
Noise Reduction	2D DNR
Privacy Mask	Off/On (8 areas, rectangle)
Day/Night	Auto(ICR)/Color/B/W
Iris Control	Fixed

Feature	Specification
IR Control	Auto, Manual
Audio	Built-in Mic
IR Number	2 (Warm light), 2 (IR light)
IR	IR Range of 30 Mtr.,
Warm Light	Warm Light Range of 20 Mtr.
IR Mode	Smart IR&WL, WL Mode, IR Mode
Mirror Function	Support
Weatherproof Standard	IP67
Power Source	12 VDC \pm 30%
Power Consumption	Max 3.3 W (12 VDC, LED on)
Operating Temperature	-40 °C to +60 °C (-40 °F to +140 °F)
Operating Humidity	<95% (RH), non-condensing
Storage Temperature	-40 °C to +60 °C (-40 °F to +140 °F)
Storage Humidity	<95% (RH), non-condensing
Casing	Plastic
Dimension	146.1 mm \times 70.0 mm \times 69.8 mm
Weight	0.15kg

Dimensions (mm/inch)



Company Name:

CP PLUS (Aditya Infotech Ltd.)

F-28 Okhla Industrial Area, Phase 1,

New Delhi 110020, INDIA

Contact Mail ID :- customercare@cpplusworld.com