

CP-UNC-TA41PL3C-L-Y

4MP Dual Light Bullet Camera - 30Mtr.

- 1/3" 4MP PS CMOS Image Sensor (0.84667 cm)
- Max. 4MP (2560 × 1440) @25/30fps
- Instastream and H.264+ dual-stream encoding
- DWDR, Day/Night, 3D DNR, ROI, BLC, HLC, Digital watermarking
- 3.6mm fixed lens (2.8mm Optional)
- Support Built-in Mic
- Support Motion Detection
- IR Range of 30 Mtrs, Warm Light Range of 15 Mtrs. IP67
- Mobile Software: iCMOB, gCMOB
- CMS Software: KVMS Pro Lite



System Overview

Delivering full-color video in complete darkness, the **illuMax range** of advanced Dual IR Cameras is the ideal solution for upgrading your security system. Enabling you with enhanced control, IlluMax supports multiple night vision modes as well as numerous formats.

Functions

Power over Ethernet

This product uses the latest PoE technology to troubleshoot the occurrence of any issues in the system making it easier to use. With the help of this technology, your camera now only consumes energy directly from the power supply and doesn't require any mid-way switches.



CP-UNC-TA41PL3C-L-Y

4MP Dual Light Bullet Camera - 30Mtr.

Functions

Instastream

This camera has been designed with the latest and most efficient innovation among the standard video compression designs. Smart encoding algorithms developed by CP PLUS help in saving up to 70% more bandwidth than H.265 along with making it more beneficial for minimizing bandwidth and storage costs. It enhances video coding efficiency while providing high resolution and the rate of frame in the video using Intelligent Region Perception to detect motion in each frame.

Live Viewing

Unlike some, this technology enables you to record the picture feed but view it live as well at your convenience. On top of that, the advantages of high-resolution video recording are numerous.

Regions of interest

Regions of Interest (ROI) is a user defined feature that allows the operator to monitor specific areas of a scene while still maintaining overall situational awareness of less important areas.

About CP PLUS

The brand that is on its way to lead the world when it comes to the security and surveillance industry, CP PLUS, keeps bombarding the market with the most reliable range of products that have been designed carefully and methodically to automate the whole surveillance and security process, no matter how big your premises are.

It was the initiative to help the public in the area where they are the most vulnerable and to empower the sense of safety in our hearts that had conceptualized CP PLUS. And embarking on its mission to make the world a safer and more secure place has taken the brand's journey to unprecedented levels even when compared to international competitors.

True Day/Night

When the scene is too dark, the image is captured by illuminating an infrared light through the camera onto the scene that greatly helps with making the scene visible for the lens. It delivers color images during the day and automatically switches to the monochrome feature as the scene darkens.

gCMOB/ iCMOB

Designed to allow users to access and control live streaming from CP PLUS IP Cameras, DVRs/ NVRs and Video Door Phones, the CP PLUS gCMOB/ iCMOB application offers a host of features such as Easy GUI, up to 16 live viewing split-ups; InstaOn cloud support; Playback; digital zoom ins; two-way talk, and more.

KVMS Pro Lite

The KVMS Pro Lite is a hybrid security management software that allows the management of various surveillance devices such as cameras, DVRs/ NVRs, encoders/ decoders, etc. It is released with the surveillance hardware and exclusively supports CP PLUS devices.



CP-UNC-TA41PL3C-L-Y

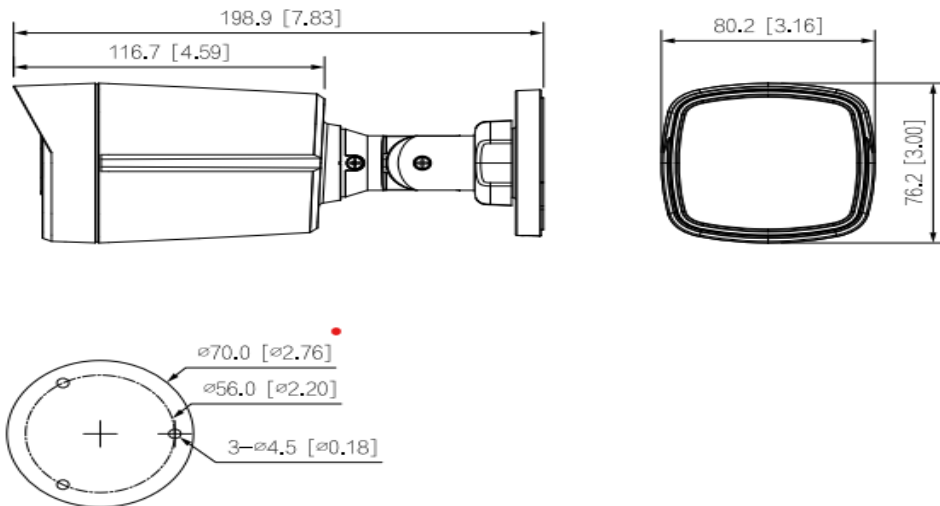
4MP Dual Light Bullet Camera - 30Mtr.

Feature	Specification
Image Sensor	1/3" 4MP PS CMOS Image Sensor (0.84667 cm)
Minimum Illumination	0.01 lux@F1.6 (Color, 30 IRE), 0.001 lux@F1.6(B/W,30 IRE)
Effective Pixels	2560 (H) × 1440 (V)
ROM	16 MB
RAM	64 MB
Angle Adjustment	Pan: 0°–360° Tilt: 0°–90° Rotation: 0°–360°
Shutter Speed	Auto/Manual 1/3 s–1/100000 s
White Balance	Auto; natural, street lamp, outdoor, manual, regional custom
Lens	3.6mm (2.8mm Optional)
Lens Type	Fixed-focal
Mount Type	M12
Max. Aperture	F1.6
Iris Control	Fixed
IR Control	Auto, Manual
Dual LED Number	2 (Multi-core (IR + warm) light)
Smart IR	Support
Close Focus Distance	3.6 mm: 1.7 m 2.8 mm: 1.1 m
DORI Distance	Lens 3.6 mm: 85.4m (Detect), 34.2m (Observe), 17.1m (Recognize), 8.5m (Identify) Lens 2.8 mm: 64.0m (Detect), 25.6m (Observe), 12.8m (Recognize), 6.4m (Identify)
Gain Control (AGC)	Auto
Video Compression	H.265, H.264, H.264B, MJPEG (only supported by the sub stream)
Encode Strategy	Instastream, H.264+
Angle of View	3.6 mm: H: 78°, V: 41°, D: 94° 2.8 mm: H: 94°, V: 52°, D: 111°
Back Light Compensation	BLC / HLC / DWDR

Feature	Specification
S/N Ratio	>56dB
Stream Capability	Dual Stream
Frame Rate	Main stream: 4M(2560 × 1440)@1–25/30 fps Sub stream: D1(704 × 576)@1–25 fps/(704 × 480)@1–30 fps
Resolution	4M (2560 × 1440), 3M (2304 × 1296), 2M (1920 × 1080), 1.3M (1280 × 960), 1M (1280 × 720), D1 (704 × 576/704 × 480), VGA (640 × 480), CIF (352 × 288/352 × 240)
Mirror	Support
Motion detection	OFF/ON (4 areas, rectangular)
Privacy Mask	4 Areas
Day/Night	Color/B/W
ROI	Support (4 areas)
Noise Reduction	3D DNR
Video Bit Rate	H.264: 32 kbps–4096 kbps H.265: 12 kbps–4096 kbps
Bit Rate Control	CBR/VBR
Protocol	IPv4, IPv6, HTTP, TCP, UDP, ARP, RTP, RTSP, RTCP, SMTP, FTP, DHCP, DNS, DDNS, NTP, Multicast, ONVIF (Profile S/ Profile T), CGI
Audio	Built-in Mic
Audio Compression	G.711a, G.711Mu, PCM, G.726
Image Rotation	0°/180°
Ethernet	RJ-45 (10/100Base-T)
Alarm Event	Network disconnection, IP conflict, illegal access, motion detection, video tampering, audio detection, security exception
Cyber Security	Video encryption, Configuration encryption, Digest, WSSE, Account lockout, Security logs, HTTPS, Trusted boot, Trusted execution, Trusted upgrade
Smart Phone	iPhone, iPad, Android Phone
User/ Host	6 (Total bandwidth:24 M)
IR	IR Range of 30 Mtr.,
Warm Light	Warm Light Range of 15 Mtr.,
Browser	IE, Chrome, Firefox
Weatherproof Standard	IP67

Feature	Specification
Operating Temperature	-40 °C to +50 °C (-40 °F to +122 °F)
Operating Humidity	<95% (RH), non-condensing
Storage Temperature	-40 °C to +60 °C (-40 °F to +140 °F)
Storage Humidity	<95% (RH), non-condensing
Power Source	12 VDC/PoE
Power Consumption	< 5W
Casing	Plastic
Dimension	198.9mm × 80.2mm × 76.2mm
Weight	0.25kg

Dimensions (mm/inch)



Company Name:

CP PLUS (Aditya Infotech Ltd.)

F-28 Okhla Industrial Area, Phase 1,

New Delhi - 110020, INDIA

Contact Mail ID :- customercare@cpplusworld.com