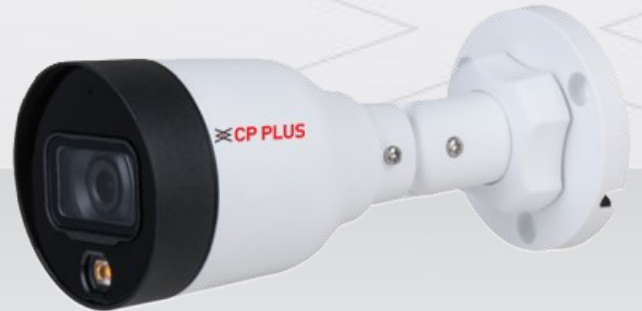


CP-UNC-TA21L3C-L

2MP Dual Light Bullet Camera - 30Mtr.

- 1/2.8" 2MP PS CMOS Image Sensor (0.9071 centimeter)
- Max. 2MP (1920 × 1080)@25/30 fps
- Instastream, H.265 and H.264 dual-stream encoding
- DWDR, Day/Night (ICR), 3D DNR, ROI, AWB, AGC, BLC, HLC
- 3.6mm fixed lens (2.8mm Optional)
- Support Built-in Mic
- Support Motion Detection
- IR Range of 30 Mtr., Warm Light Range of 30 Mtrs, IP67, PoE
- Mobile Software: iCMOB, gCMOB
- CMS Software: KVMS Pro Lite



System Overview

Delivering full-color video in complete darkness, the **Illumax range** of advanced Dual IR Cameras is the ideal solution for upgrading your security system. Enabling you with enhanced control, Illumax supports multiple night vision modes as well as numerous formats.

Functions

Power over Ethernet

This product uses the latest PoE technology to troubleshoot the occurrence of any issues in the system making it easier to use. With the help of this technology, your camera now only consumes energy directly from the power supply and doesn't require any mid-way switches.



CP-UNC-TA21L3C-L

2MP Dual Light Bullet Camera - 30Mtr.

Functions

Instastream

This camera has been designed with the latest and most efficient innovation among the standard video compression designs. Smart encoding algorithms developed by CP PLUS help in saving up to 70% more bandwidth than H.265 along with making it more beneficial for minimizing bandwidth and storage costs. It enhances video coding efficiency while providing high resolution and the rate of frame in the video using Intelligent Region Perception to detect motion in each frame.

Live Viewing

Unlike some, this technology enables you to record the picture feed but view it live as well at your convenience. On top of that, the advantages of high-resolution video recording are numerous.

Regions of interest

Regions of Interest (ROI) is a user defined feature that allows the operator to monitor specific areas of a scene while still maintaining overall situational awareness of less important areas.

True Day/Night (ICR)

When the scene is too dark, the image is captured by illuminating an infrared light through the camera onto the scene that greatly helps with making the scene visible for the lens. It delivers color images during the day and automatically switches to the monochrome feature as the scene darkens.

gCMOB/ iCMOB

Designed to allow users to access and control live streaming from CP PLUS IP Cameras, DVRs/ NVRs and Video Door Phones, the CP PLUS gCMOB/ iCMOB application offers a host of features such as Easy GUI, up to 16 live viewing split-ups; InstaOn cloud support; Playback; digital zoom ins; two-way talk, and more.

KVMS Pro Lite

The KVMS Pro Lite is a hybrid security management software that allows the management of various surveillance devices such as cameras, DVRs/ NVRs, encoders/ decoders, etc. It is released with the surveillance hardware and exclusively supports CP PLUS devices.

About CP PLUS

The brand that is on its way to lead the world when it comes to the security and surveillance industry, CP PLUS, keeps bombarding the market with the most reliable range of products that have been designed carefully and methodically to automate the whole surveillance and security process, no matter how big your premises are.

It was the initiative to help the public in the area where they are the most vulnerable and to empower the sense of safety in our hearts that had conceptualized CP PLUS. And embarking on its mission to make the world a safer and more secure place has taken the brand's journey to unprecedented levels even when compared to international competitors.



CP-UNC-TA21L3C-L

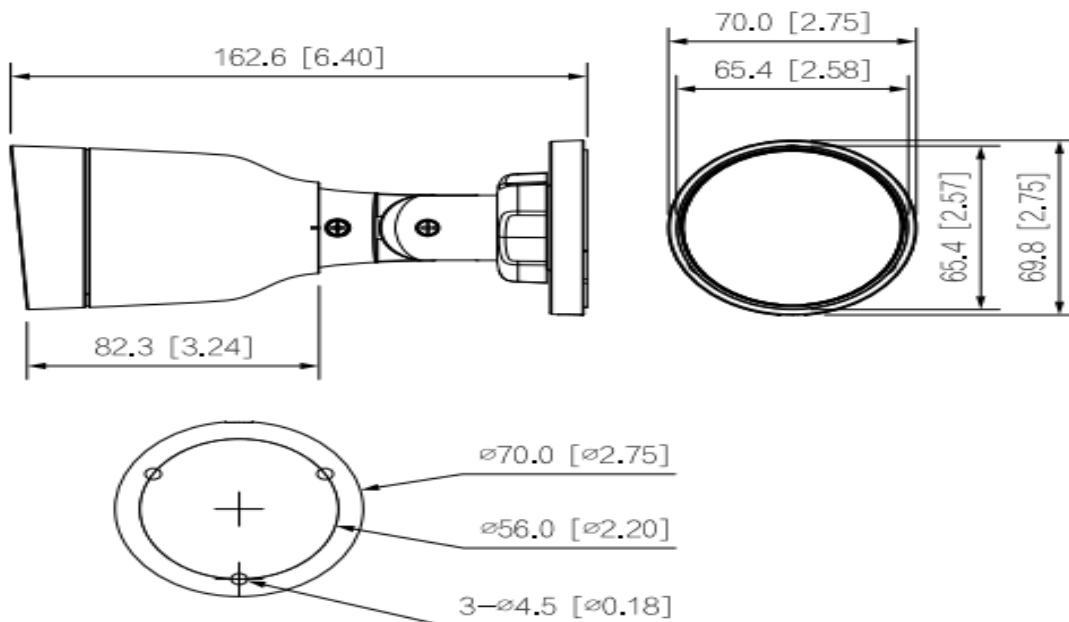
2MP Dual Light Bullet Camera - 30Mtr.

Feature	Specification
Image Sensor	1/2.8" 2MP PS CMOS Image Sensor (0.9071 centimeter)
Minimum Illumination	0.005 lux@F1.6 (Color, 30 IRE), 0.0005 lux@F1.6 (B/W, 30 IRE), 0 lux (IR on)
Effective Pixels	1920 (H) × 1080 (V)
Angle Adjustment	Pan: 0°–360°, Tilt: 0°–90°, Rotation: 0°–360°
Shutter Speed	Auto/Manual 1/3 s–1/100,000 s
White Balance	Auto, Natural, Street lamp, Outdoor, Manual, Regional custom
RAM	64 MB
ROM	16 MB
DORI Distance	Lens 3.6mm: 44.1 (Detect), 23.6m (Observe), 11.8m (Recognize), 5.9m (Identify) Lens 2.8mm: 43.9m (Detect), 17.7m (Observe), 8.8m (Recognize), 4.4m (Identify)
Gain Control(AGC)	Auto/Manual
Lens Type	Fixed-focal
Smart IR	Support
Max. Aperture	F1.6
Lens Mount	M12
Close Focus Distance	3.6 mm: 1.3m, 2.8 mm: 0.8m
Lens	3.6mm Fixed Lens (2.8mm Optional)
Video Compression	H.265, H.264, H.264H, H.264B, MJPEG (Only supported by the sub stream)
S/N Ratio	>56dB
Angle of View	3.6 mm: H: 87°, V: 44°, D: 105° ; 2.8 mm: H: 103°, V: 55°, D: 123°
Back Light Compensation	BLC/ HLC/ DWDR
Encode Strategy	Instastream, H.264+
stream Capability	Dual Stream
Frame Rate	Main stream: 1920 × 1080@(1–25/30 fps) sub stream: 704 × 576@(1–25 fps)/704 × 480@(1–30 fps)

Feature	Specification
Resolution	2M (1920 × 1080), 1.3M (1280 × 960), 1M (1280 × 720), D1 (704 × 576/704 × 480), VGA (640 × 480), CIF (352 × 288/352 × 240)
Audio	Built-in Mic
Motion detection	OFF/ON (4 areas, rectangular)
Privacy Mask	4 areas
Noise Reduction	3D DNR
ROI	Support (4 areas)
Audio Compression	G.711a, G.711Mu, PCM, G.726, AAC
Bit Rate	H.265: 12 kbps–4096 kbps, H.264: 32 kbps–4096 kbps
Bit Rate Control	CBR/VBR
Human Body Detection	Support
Protocol	IPv4, IPv6, HTTP, TCP, UDP, ARP, RTP, RTSP, RTCP, RTMP, SMTP, FTP, DHCP, DNS, DDNS, NTP, Multicast, ICMP, IGMP, ONVIF (Profile S, Profile T), CGI
IntelliSearch	Work together with Smart NVR to perform refine intelligent search, event extraction and merging to event videos
SDK and API	Support
Day/Night	Color/B/W
Ethernet	RJ-45 (10/100Base-T)
Alarm Event	Network disconnection, IP conflict, illegal access, Motion detection, Video tampering, Audio detection, Security exception, SMD (human)
User/Host	6 Users (Total bandwidth: 24 M)
Cyber Security	Video encryption, Configuration encryption, Digest, WSSE, Account lockout, Security logs, Generation and importing of CA certification, HTTPS, Trusted boot, Trusted execution, Trusted upgrade
IR Control	Auto, Manual
Mirror Function	Support
IR Number	1 (Multi-core (IR + warm) light)
IR	IR Range of 30 Mtr.
Warm Light	Warm Light Range of 30 Mtr.
Iris Control	Fixed
Image Rotation	0°/90°/180°/270° (Support 90°/270° with 1080p resolution and lower)
Weatherproof Standard	IP67

Feature	Specification
Power Source	12 VDC/PoE (802.3af)
Smart Phone	iPhone, iPad, Android Phone
Browser	IE, Chrome, Firefox
Power Consumption	Basic: 1.4 W (12 VDC), 2.2 W (PoE); Max.: 3.3 W (12 VDC), 4.4 W (PoE) (H.265 + intelligence on + warm light intensity)
Operating Temperature	-40°C to +60°C (-40°F to +140°F)
Operating Humidity	≤95%(RH), non-condensing
Dimension	162.6mm × 70mm × 70mm
Casing	Metal + Plastic
Weight	0.22kg

Dimensions (mm/inch)



Company Name:

CP PLUS (Aditya Infotech Ltd.)
F-28 Okhla Industrial Area, Phase 1,
New Delhi 110020, INDIA

Contact Mail ID :- customercare@cpplusworld.com

