

CP-URC-TC24PL2-V3

2.4MP IR Bullet Camera - 20Mtr.

- 1/2.7" 2.4MP PS CMOS Image Sensor (0.9407 centimetres)
- Max. 2MP@30fps
- DWDR, Day/Night (ICR), 2D DNR, AWB, AGC, BLC, HLC
- 3.6mm fixed lens (6mm optional)
- IR Range of 20 Mtrs., Smart IR, IP67



System Overview

Analog cameras can be advantageous in more ways than one – they are economical, especially for large scale setups, and are simple to install. However, one of the major downsides of earlier analog cameras was the image quality, which is critical in the present times. With subsequent technological upgrades over the years, HD resolution was introduced in analog CCTV systems. This served as a major breakthrough as high quality imagery was only available in IP system which was comparatively a costlier option.

Another challenge with analog systems was its compatibility constraint. Newer versions of analog cameras would not pair up with older versions. CP PLUS introduced the revolutionary UNI + technology which supported all analog & HD video formats including CVBS.



CP-URC-TC24PL2-V3

2.4MP IR Bullet Camera - 20Mtr.

Functions

OSD Menu support

CP PLUS HD analog cameras come with their own menu using which the camera settings can be managed, for instance, the signal type can be changed and other sensor level adjustments be made.

IR LED

Numerous IR LEDs provide detailed images even in very low light conditions. These LEDs adjust the infrared intensity for distinct images in dark environments for up to 20mtrs.

UNI+ technology

CP PLUS Analog HD cameras offer compatibility across all the available technologies - CVBS, TVI, HDCVI, AHD and HDx, making upgrading simple and hassle-free.

Power protection

With a voltage tolerance range of ± 30 , these cameras are suitable even in fluctuating power conditions.

Plug & Play

CP PLUS Analog HD cameras are simple to configure and install.

About CP PLUS

The brand that is on its way to lead the world when it comes to the security and surveillance industry, CP PLUS, keeps bombarding the market with the most reliable range of products that have been designed carefully and methodically to automate the whole surveillance and security process, no matter how big your premises are.

It was the initiative to help the public in the area where they are the most vulnerable and to empower the sense of safety in our hearts that had conceptualized CP PLUS. And embarking on its mission to make the world a safer and more secure place has taken the brand's journey to unprecedented levels even when compared to international competitors.



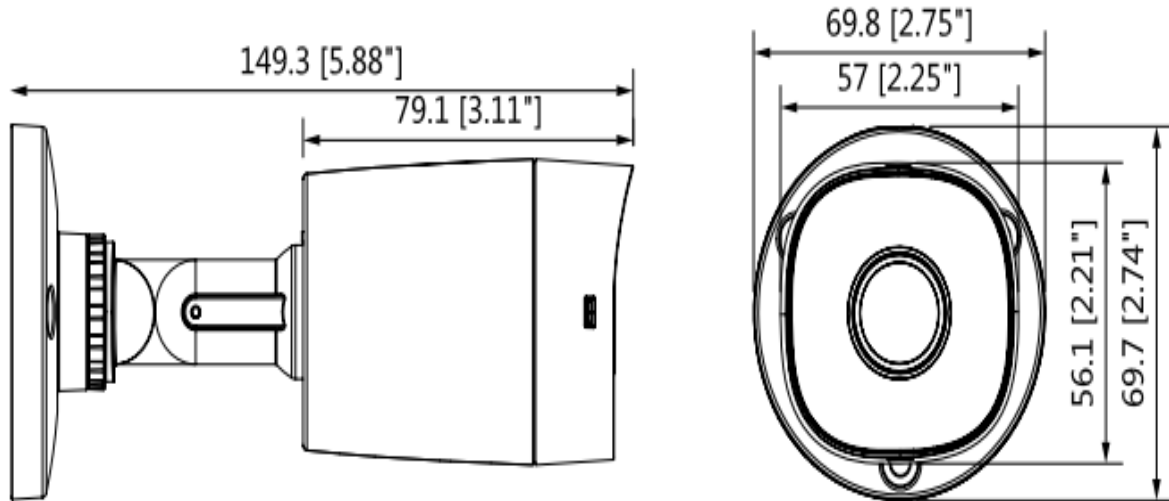
CP-URC-TC24PL2-V3

2.4MP IR Bullet Camera - 20Mtr.

Feature	Specification
Image Sensor	1/2.7" 2.4MP PS CMOS Image Sensor (0.9407 centimetres)
Minimum Illumination	0.04Lux/F1.85, 30IRE, 0Lux IR on
Effective Pixels	1920(H) × 1080(V)
Shutter Speed	PAL: 1/25~1/100000s NTSC: 1/30~1/100000s
Angle Adjustment	Pan: 0° ~ 360°, Tilt: 0° ~ 90°, Rotation: 0° ~ 360°
White Balance	Auto / Manual
Gain Control(AGC)	Auto
Lens	3.6mm Fixed Lens (6mm Optional)
DORI Distance	Lens 3.6mm: 51.0 mm (Detect), 20.0 mm (Observe), 10.0 mm (Recognize), 5.0mm (Identify) Lens 6 mm: 80.0 mm (Detect), 32.0 mm (Observe), 16.0 mm (Recognize), 8.0mm (Identify)
Close Focus Distance	800 mm ~2000 mm
Lens Mount	M12
Max. Aperture	F1.85
Lens Type	Fixed Lens
S/N Ratio	>56 dB
Back Light Compensation	BLC/HLC/DWDR
Angle of View	H: 93°
Resolution	2.4MP (1920 × 1080)
Video Output	1-channel BNC high definition video output / CVBS video output
Frame Rate	25/30fps@2.4M, 25/30/50/60fps@1M
Noise Reduction	2D DNR
Day/Night	Auto (ICR) / Manual

Feature	Specification
Iris Control	Fixed
IR Control	Auto / Manual
OSD Menu	Multi-language
IR	IR Range of 20 Mtr.,
Operating Temperature	-40°C ~ +60°C (-40°F ~ +140°F)
Operating Humidity	≤95%(RH), non-condensing
Smart IR	Auto / Manual
Power Source	12V DC ±30%
Power Consumption	Max 2.7W (12V DC, IR on)
Weatherproof Standard	IP67
Dimension	70mm × 70mm × 149mm
Casing	Plastic
Weight	0.14Kg.

Dimensions (mm/inch)



Company Name:

CP PLUS (Aditya Infotech Ltd.)

F-28 Okhla Industrial Area, Phase 1,

New Delhi 110020, INDIA

Contact Mail ID :- customercare@cpplusworld.com